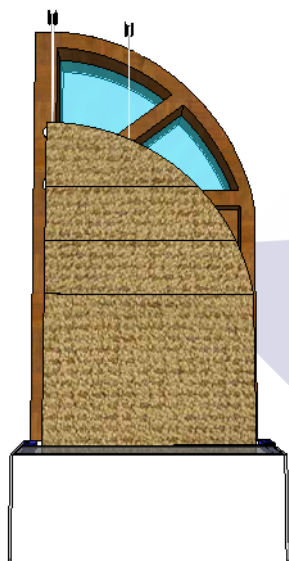
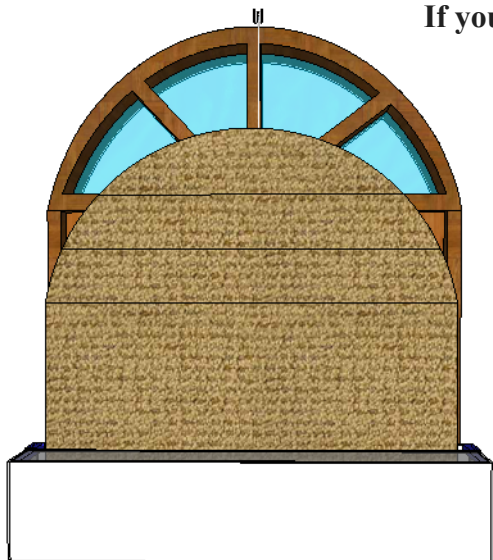


Motorized Bottom-Up Roller Arch and Quarter Arch XL Shade Instructions

Congratulations on your purchase of a specialty shade from DEL Motorized Solutions.
If you have any questions, please call technical support at 1-866-446-6867
or email us at info@motorizedsolutions.com



Important Notes - Please Read Before Installing



CAUTION: RISK OF FALLING OBJECTS

Securely install the shade system per the mounting instructions. Failure to do so could result in minor or moderate injury.



WARNING: SHOCK HAZARD

Can cause serious injury or death. Turn off power at the main service panel before connecting or servicing a shade with a wired power supply.



Shade brackets and hardware are to be anchored into wood blocking. If wood blocking is not available, you must use appropriate fasteners (not included) to support the weight of the system and load.



Pre-drill all holes with the appropriate size bit.

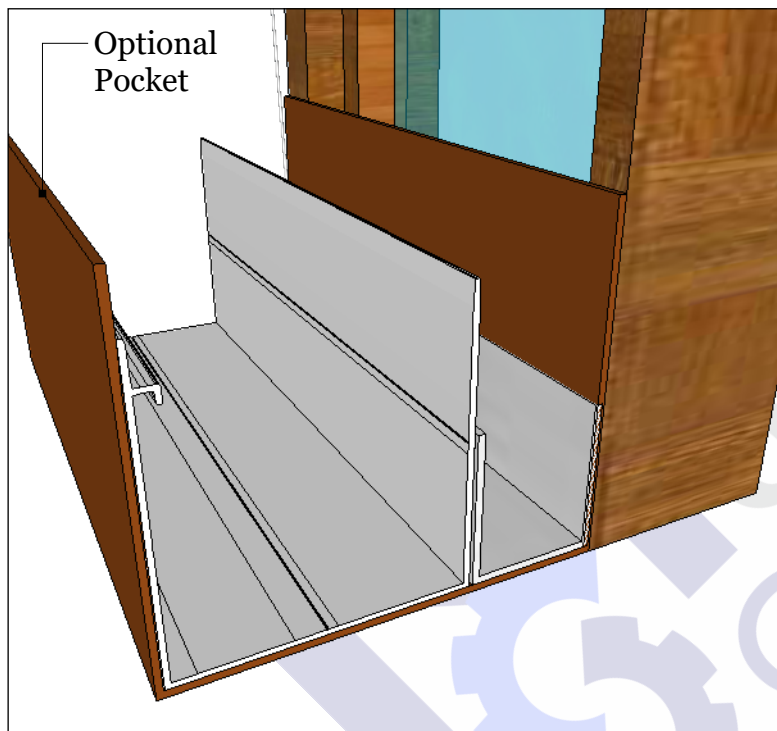
TOOLS REQUIRED

Pencil, Tape Measure, Powered Screwdriver / Drill, Level, 1/4 hex head driver, #2 Phillips screwdriver, wire cutter/stripper, drill bits.

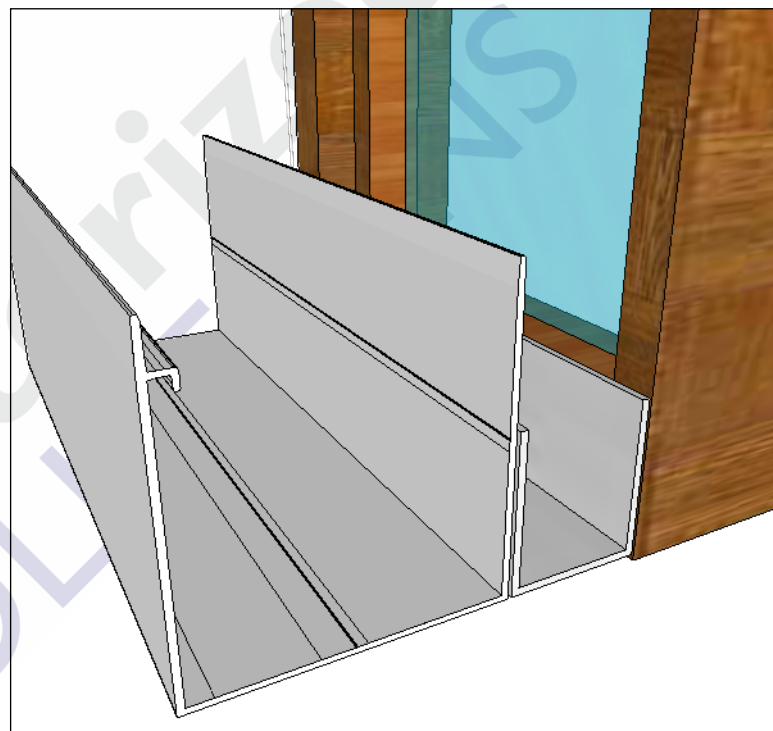
Notes:

1. Although the images in this instructions guide depict a full arched shade, they are applicable for both the full arch and quarter arch XL shades.

2. If using the optional 7 1/4" x 6" pocket, place it at the window before proceeding to step #1 of the instructions.



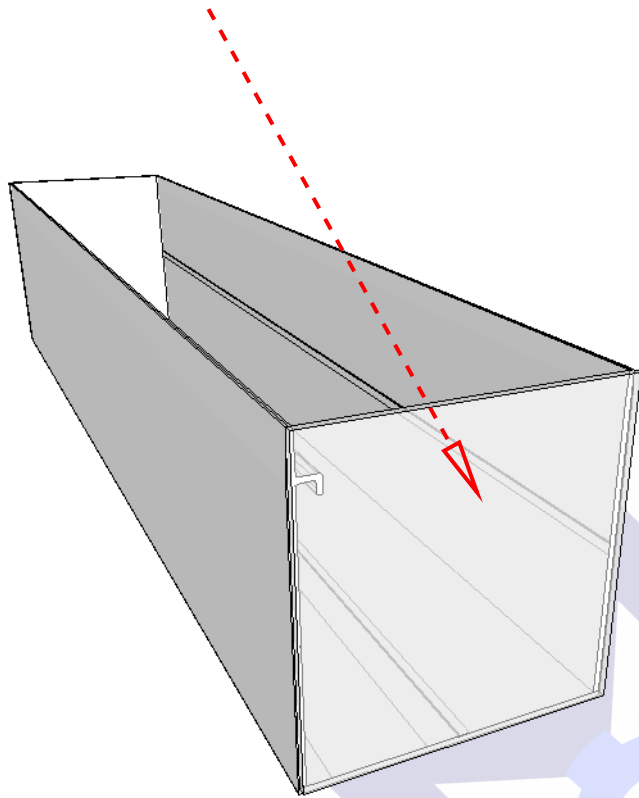
Shown With Optional Pocket



Shown Without Optional Pocket

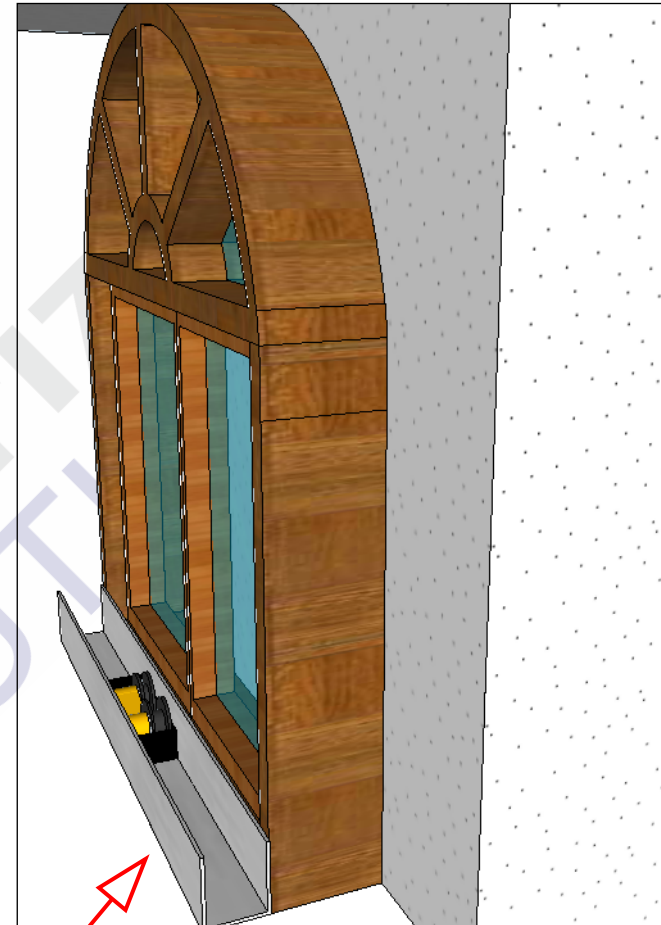
Step 1 - End Caps

Insert the pocket end caps on both left and right sides.



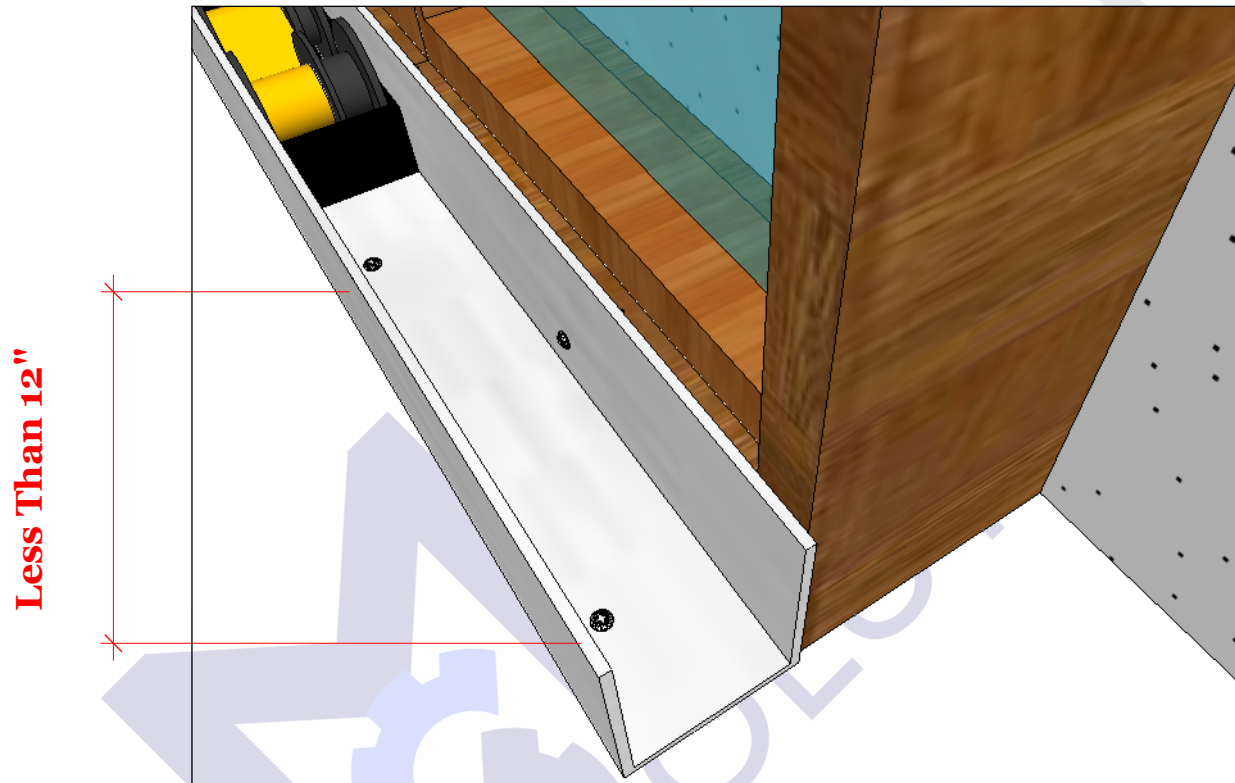
Step 2 - Spring Rail

Align and level the spring rail in the location where it will be mounted.



Step 3 - Spring Rail Mounting

Install anchors through the spring rail, into blocking, to the sill and or to wall.
Screws are strong enough to support the entire load.
The anchors are to be spaced no more than 12" apart.



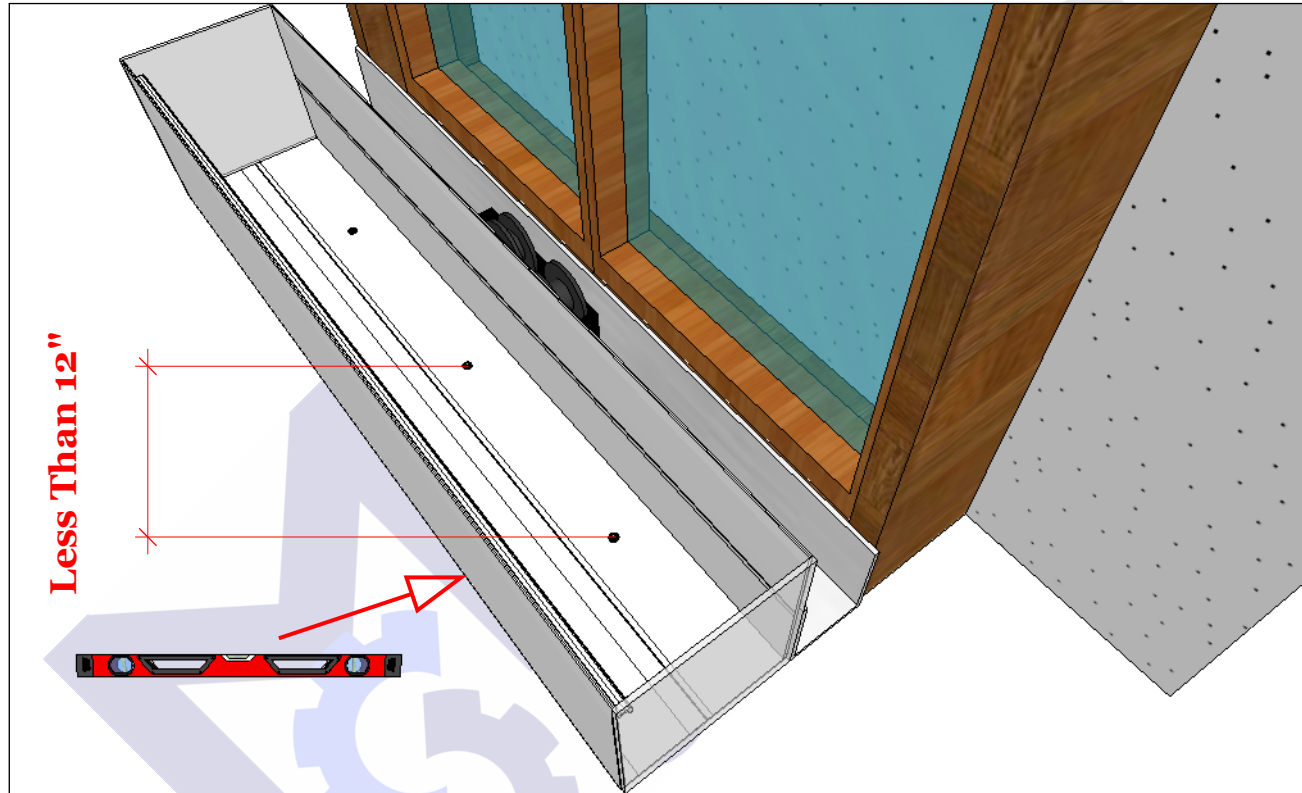
Step 4 - Pocket Mounting

Place the shade pocket in front of the spring rail and level it.

Install anchors through the pocket, and into blocking.

Screws are strong enough to support the entire load.

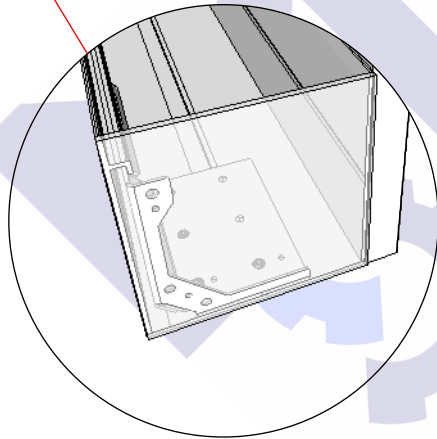
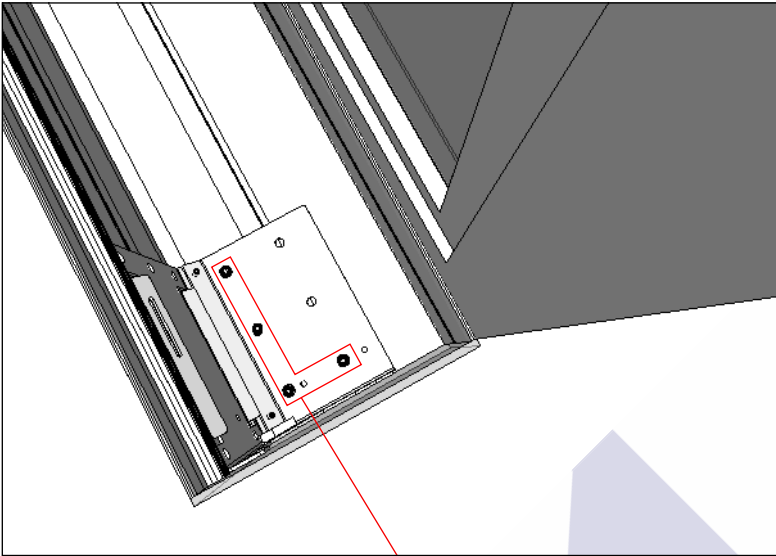
The anchors are to be spaced no more than 12" apart.



Step 5 - Sub Brackets

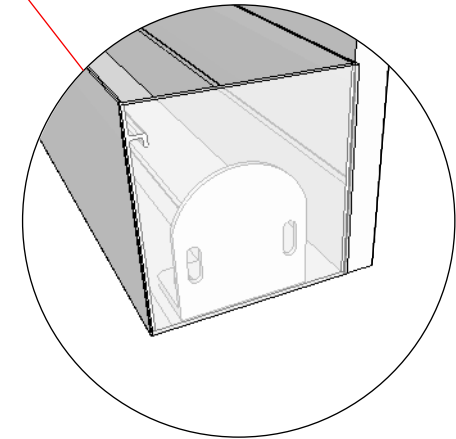
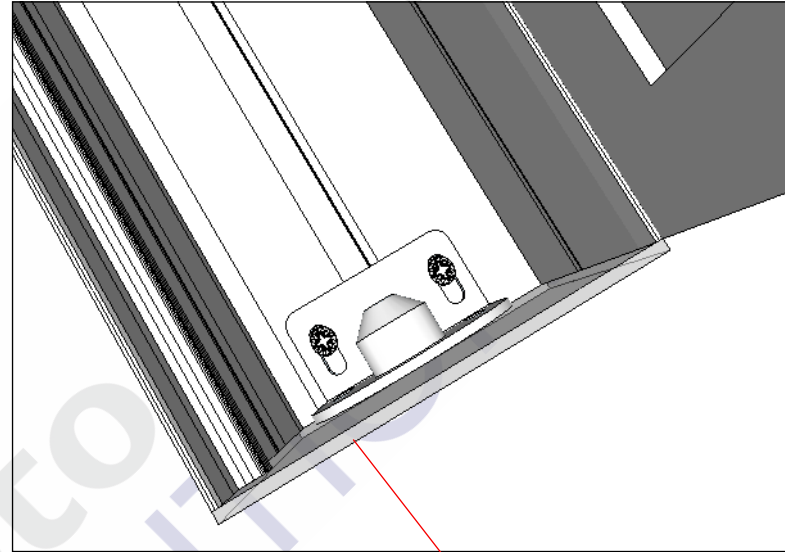
Lutron

Insert screws through the bracket and pocket.
Only use the outer 4 holes as shown below.



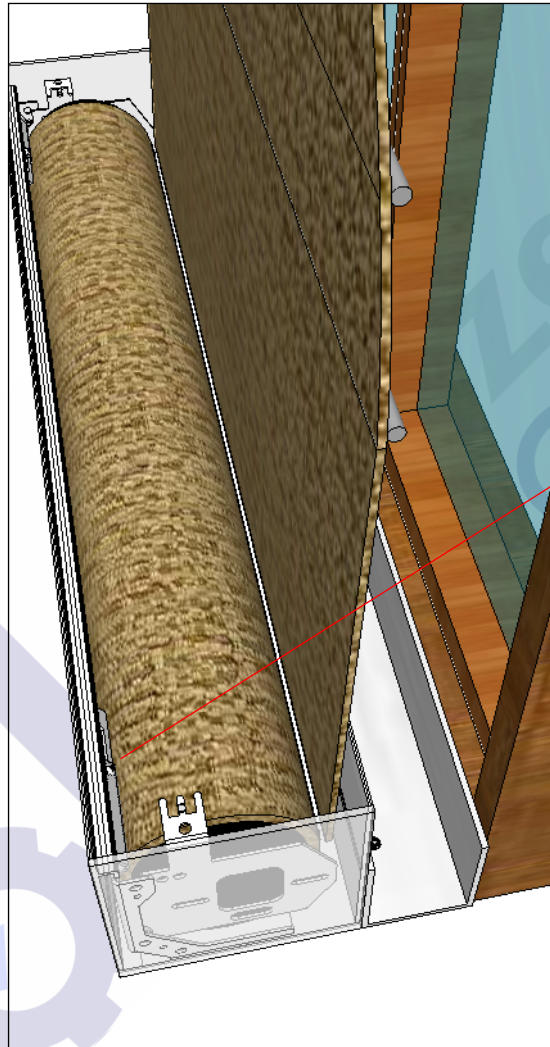
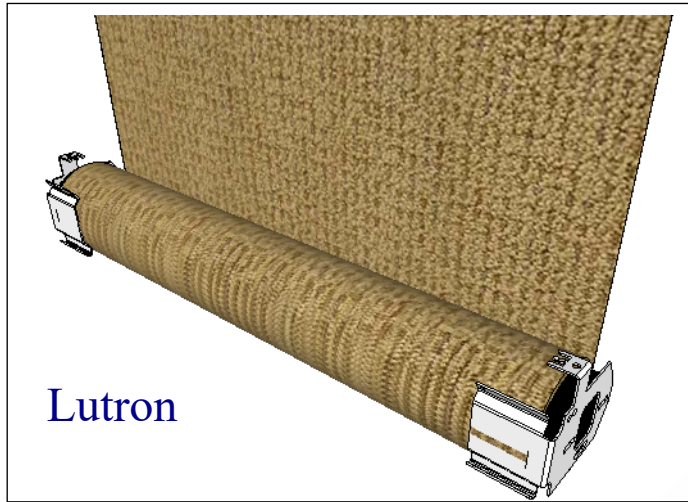
Non Lutron

Insert screws through the bracket and pocket
as shown below.



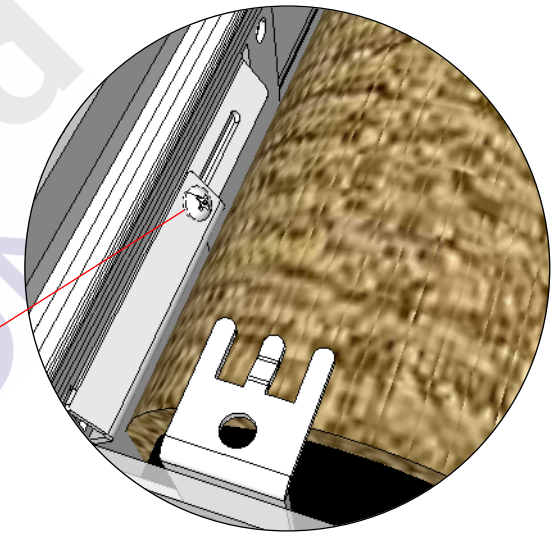
Step 6 - Mounting The Shade

Unroll enough fabric to expose the horizontal bars.
Connect the shade unit to pocket assembly.



Step 7 - Lock In The Shade (Lutron Shades Only)

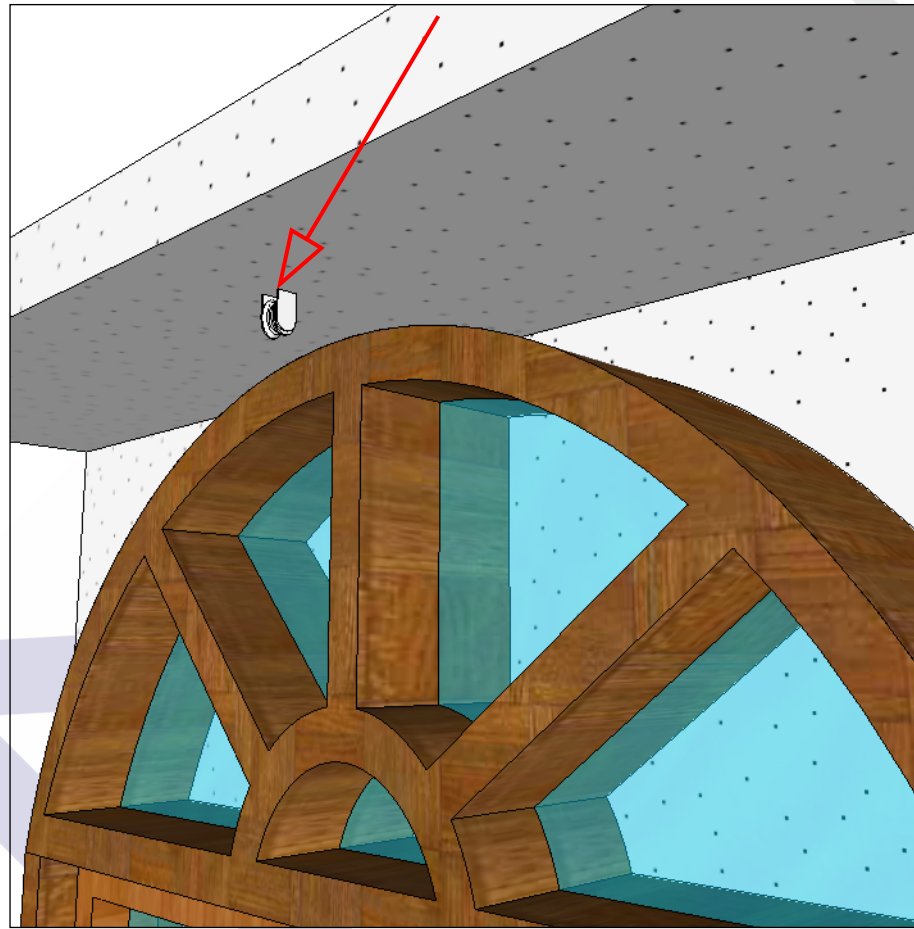
Install the set screw
to lock the shade in
place.



Step 8 - Pulley

Install the pulleys so that they are plumb with the spring cords. Larger shades will have additional pulleys and spring cords.

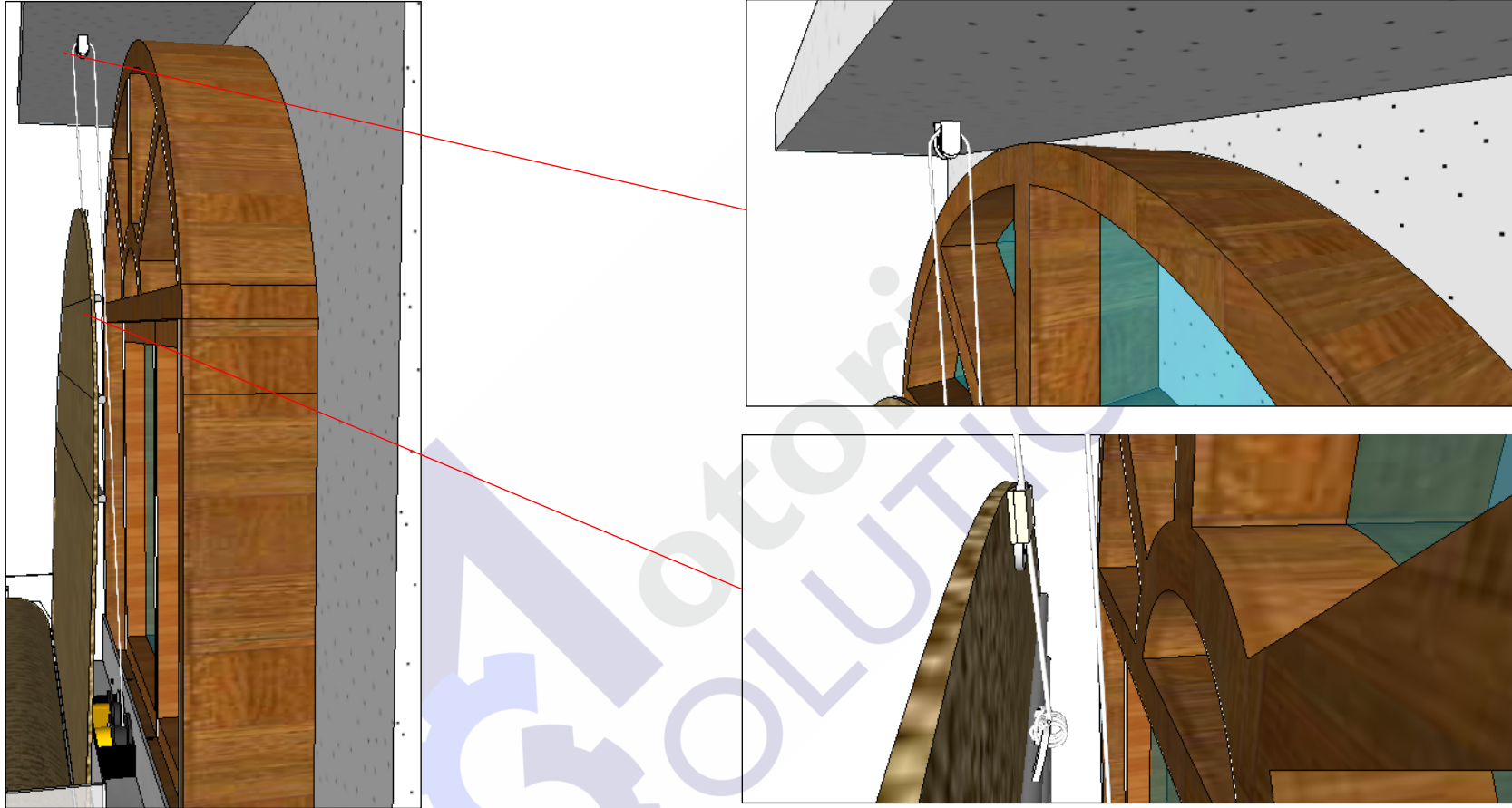
Note - If mounting to the vertical surface, blocking must be used to bring the pulley forward so that the cords will be plumb.



Step 9 - Connected The Lift Cord

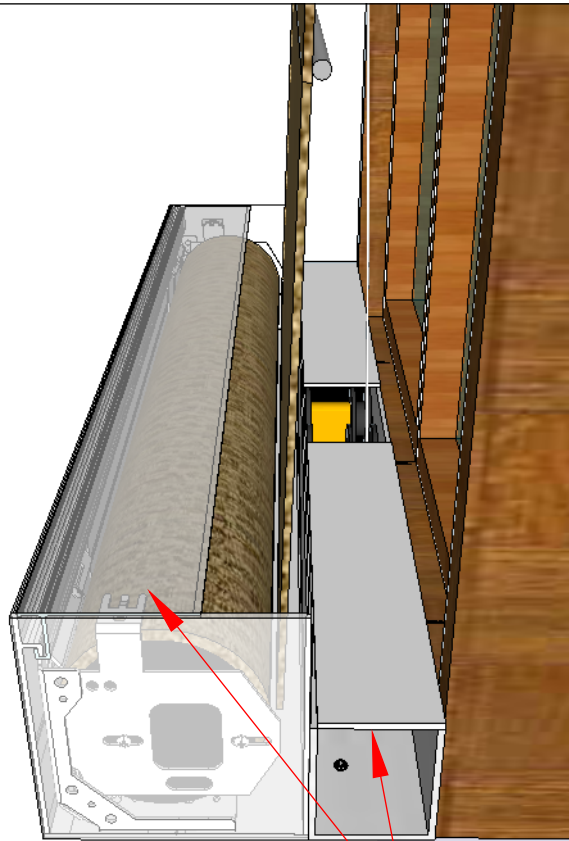
Pull the lift cord up, through the pulley, through the top shade ring, and tie it off to the lower ring which is attached to the horizontal spline.

Note: temporarily separate the Velcro strip. Replace it after tying off the cord.

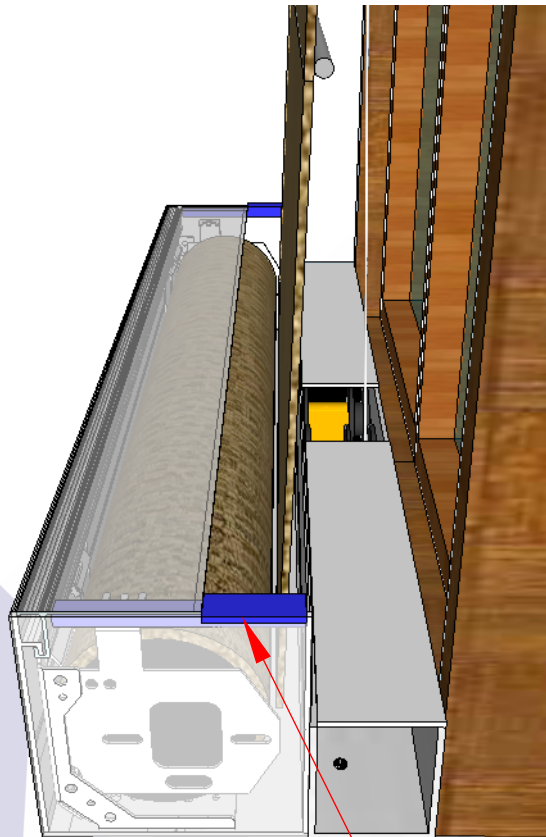


Proceed to programming before continuing to Step 10. A link to programming guides is provided at the last page of this instruction manual.

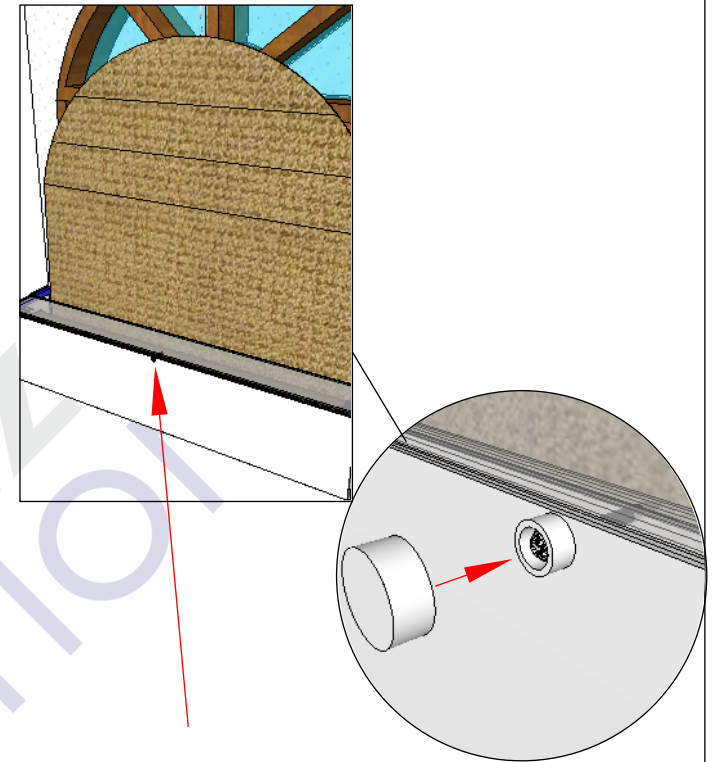
Step 10 - Final Assembly



Install the pocket flap and spring rail cap.



Install the flap support.



Note - For shades over 96" wide, install the flap support screw in the center of the width of the pocket, 1/8" down from the top of the pocket (through the pocket and into the flap) to support the center. It is important that the screw is no more than 1/8" down from the top and 1.5" long so that it does not damage the fabric. Then snap on the cap to conceal it.

Fine Tuning The Cords

Slide each springs left or right so that the lift cords are straight and plumb. Then tighten the two set screws to lock the spring in place.



Programming Guides

Please scan the QR code or click the link below to be forwarded to the programming guides for instructions on how to set the upper and lower limits, assigning controls, etc.



Use the QR code above to access the instruction guide from a smart device.

[Click Here](#)

Use the link above to access the instruction guide from an electronic device.